




### Professional Solutions - Unrivalled Value

Screen adapters and ceiling box assembly for mounting back to back dual 13" to 46" flat panel screens. Continuous tilt of 20° forward with 360° rotation. Makes a secure installation quick and easy, simply hang the screens and turn the pre-assembled securing screws to lock in place. Compatible with all 1.5" NPT threaded pipe.

 13"-46" / 33cm-116cm

 160 LB / 73 KG

#### Functional Specifications

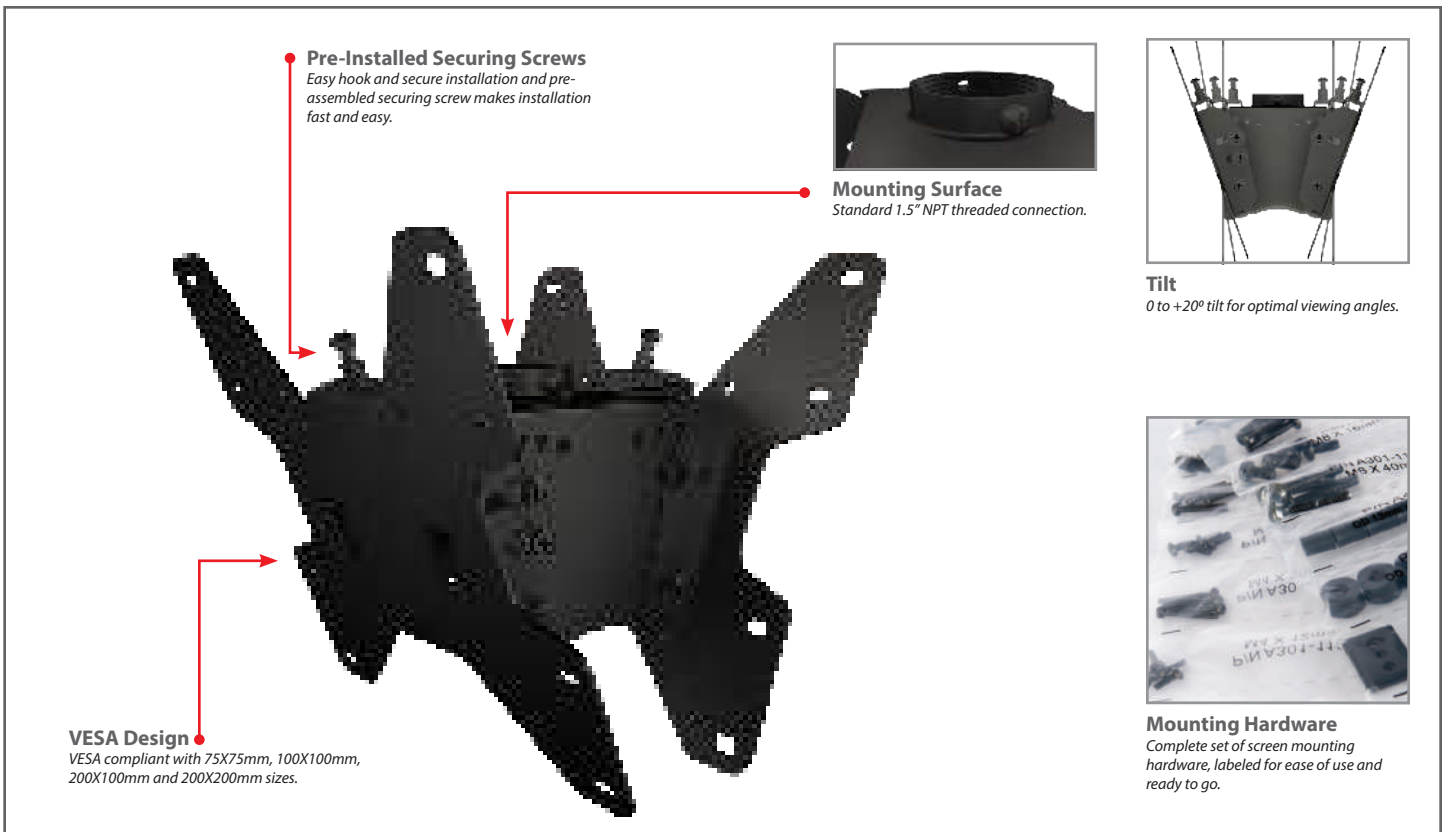
**Tilt:** +20°/-0°  
**Rotation:** 360°

**Mounting Surfaces:** 1.5" NPT Threaded connection.

**Max Mounting Pattern:**  
200mm (7.9") width  
200mm (7.9") height

**Load Capacity:** 160 LB / 73 KG

**Warranty:** Limited 10 Years



#### ■ Fits Flat Panels

Fits most 13" to 46" flat panel screens weighing up to 80lb each.

#### ■ Vesa Compatible

Compatible with 75X75mm, 100X100mm, 200X100mm and 200X200mm sizes.

#### ■ Standard Interface

Mounts to any 1.5" NPT threaded pipe.

#### ■ Multi-angle Positioning

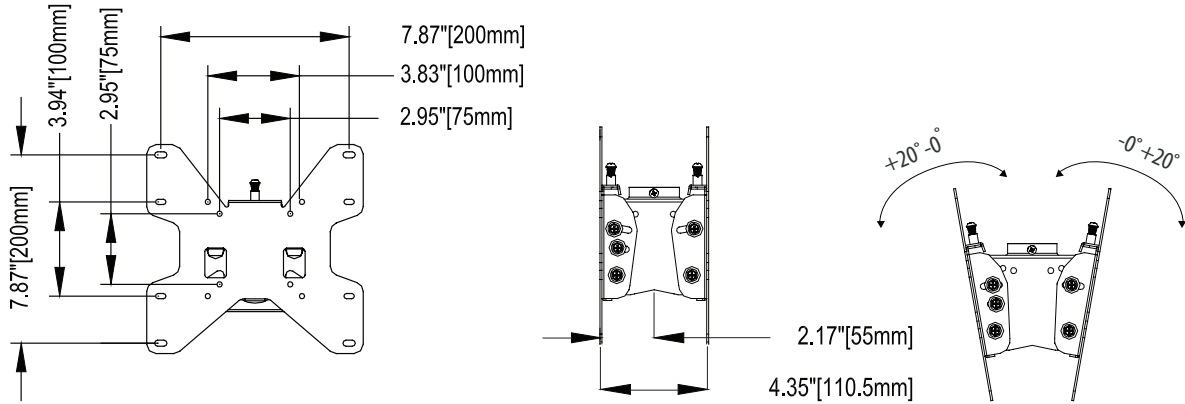
Up to 20° of continuous tilt and 360° rotation.

#### ■ Easy Installation

Pre-assembled securing screw makes installation fast and easy.

#### ■ Included Hardware

Pre-sorted hardware pack for easy component selection and installation (hardware for installation to wood studs or concrete surfaces included).

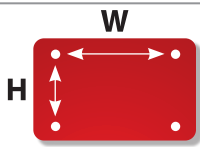


### Product Specifications

### Package Specifications

PRODUCT WEIGHT	LOAD CAPACITY	COLORS	FINISH	PACKAGE SIZE (WxHxD)	SHIP WEIGHT	UPC CODE	PACKAGE CONTENTS
6.2lb (2.8kg)	160lb (73kg) total 80lb (36 Kg) each	Black	Scratch resistant powder coating	10" x 9.4" x 4.7" (254 x 239 x 119 mm)	8.2lb (3.7kg)	MPCD-S22V (Black) 0815885010835	Mount, screen mounting hardware, product manual.

### Mounting Interface



**Max Mounting Pattern**  
200mm (W) x 200mm (H)

VESA	W	X	H	X	X
	75mm	100mm	75mm	100mm	200mm
		100mm		200mm	200mm

### Accessories

#### Suspended Ceiling Adapters



MPCD-S1W

For mounting above a false ceiling tile. 13" of lateral shift for fast project adjustment. Compatible with all 1.5" NPT threaded pipe.



MPCD-S2W

Replaces a standard 2' x 2' grid. 13" of lateral shift for fast project adjustment. Compatible with all 1.5" NPT threaded pipe.

#### Structural Ceiling Adapters



MPCD-1

Wood Single Joist / Concrete



MPCD-2

Wood 16" Double Joist / Concrete



MPCD-4

General Purpose 4x4"



MPCD-8

General Purpose 8x8"

#### Truss Ceiling Adapter



MPCD-T3

Mounts to round, square and rectangular trusses from .75" up to 3" in diameter and is compatible with all 1.5" NPT threaded pipe.

#### Vaulted Ceiling Adapter



MPCD-V1

For installation on cathedral or vaulted ceilings. Adjusts up to 94° and is compatible with all 1.5" NPT threaded pipe.

#### Unistrut Ceiling Adapters



MPCD-U1

Bracket and hardware for mounting to single 1-5/8"x1-5/8" Unistrut.



MPCD-U4

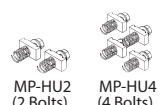
Bracket and hardware (4x4) for mounting to standard 1-5/8"x1-5/8" dual channels spaced on 2.25" centers.



MPCD-U8

Bracket and hardware (8x8) for mounting to standard 1-5/8"x1-5/8" dual channels spaced on 6" centers.

#### Unistrut Bolts



MP-HU2 (2 Bolts)

MP-HU4 (4 Bolts)

3/8" bolts and spring nuts for mounting ceiling brackets to standard 1-5/8"x1-5/8".

#### Fixed Columns

Static ceiling columns for use with all ceiling adapters using standard 1.5" NPT interfaces. Connectors (sold separately) give ability to extend drop lengths by connecting two or more columns. Cable management with a completely open interior.



BLACK	DROP
MPE-06	6"
MPE-1	12"
MPE-018	18"
MPE-2	2'
MPE-3	3'
MPE-4	4'
MPE-5	5'
MPE-6	6'
MPE-7	7'
MPE-8	8'
MPE-9	9'
MPE-10	10'

#### Adjustable Columns

Adjustable extension columns designed for use with all ceiling adapters using standard 1.5" NPT interfaces. Column allows for flexibility with quick 1" incremental drop length adjustments and cable management with a completely open interior. Connectors (sold separately) give ability to extend drop lengths by connecting two or more columns.



BLACK	DROP
MPEA-0611	6"-11"
MPEA-01218	12"-18"
MPEA-01824	18"-24"
MPEA-23	2'-3'
MPEA-24	2'-4'
MPEA-35	3'-5'
MPEA-46	4'-6'
MPEA-57	5'-7'
MPEA-68	6'-8'
MPEA-79	7'-9'
MPEA-810	8'-10'
MPEA-911	9'-11'
MPEA-1012	10'-12'

Visit [mustangav.com](http://mustangav.com) to see the full line of vidamounts LCD/plasma, projector and TV/monitor mounts.