




Professional Solutions - Unrivalled Value

Screen adapter and ceiling box assembly for mounting 32" to 55" flat panel screens. Continuous tilt of 15° forward with 360° rotation. Makes a secure installation quick and easy, simply hang the screen and turn the pre-assembled securing screws to lock in place. Compatible with all 1.5" NPT threaded pipe.

 32" - 55" / 81cm-140cm

 200 LB / 91 KG (100lb per screen)

■ Various Screen Sizes

Fits most 32" to 55" flat panel screens weighing 100lb or less.

■ Multi-angle Positioning

Up to 15° of continuous tilt and 360° rotation.

■ Commercial Grade

Ideal for commercial and retail settings.

■ Easy Installation

Pre-assembled securing screw makes installation fast and easy.

■ Standard Interface

Mounts to any 1.5" NPT threaded pipe.

■ VESA Compatible

Works with any hole pattern up to 400mm (15.7") x 400mm (15.7") in height.

■ Included Hardware

Pre-sorted hardware pack for easy component selection and installation (hardware for installation to wood studs or concrete surfaces included).

Functional Specifications

Tilt: +15°/-5°

Rotation: 360°

Mounting Surfaces: 1.5" NPT Threaded connection.

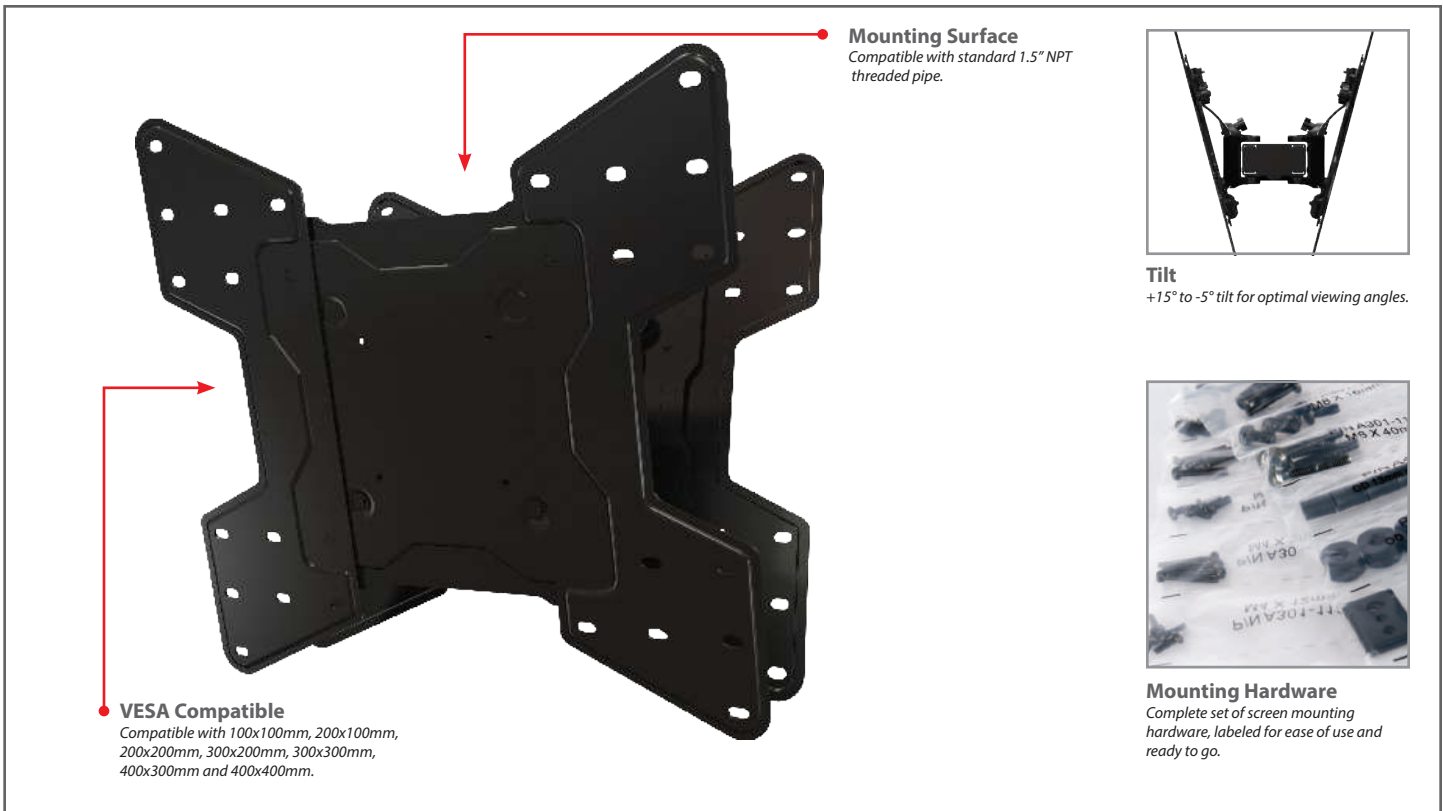
Max Mounting Pattern:

400mm (15.7") width

400mm (15.7") height

Load Capacity: 200 LB / 91 KG

Warranty: Limited 10 Years



Mounting Surface

Compatible with standard 1.5" NPT threaded pipe.



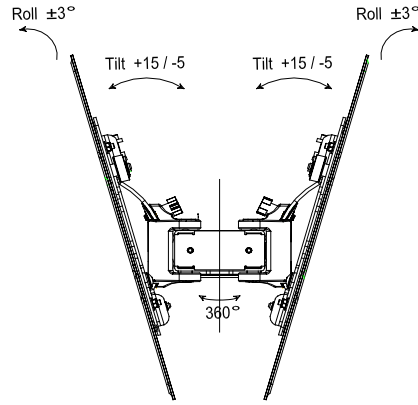
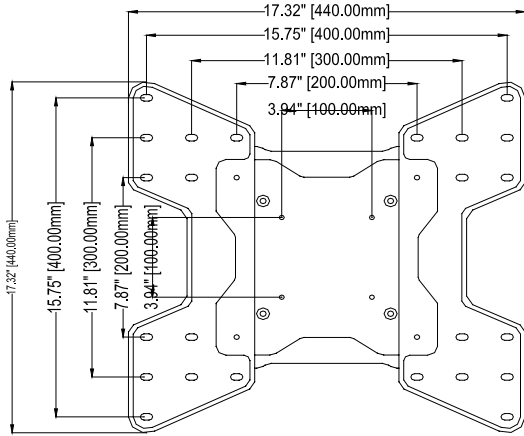
Tilt

+15° to -5° tilt for optimal viewing angles.



Mounting Hardware

Complete set of screen mounting hardware, labeled for ease of use and ready to go.

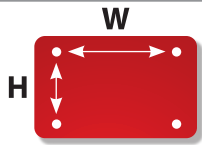


Product Specifications

Package Specifications

PRODUCT WEIGHT	LOAD CAPACITY	COLORS	FINISH	PACKAGE SIZE (WxHxD)	SHIP WEIGHT	UPC CODE	PACKAGE CONTENTS
19.2 lb (8.7 Kg)	200lb (91 Kg) total 100 lb (45 Kg) each	Black	Scratch resistant powder coating	19.7" x 19.7" x 7.1" (500 x 500 x 180mm)	23.5 lb (10.7 Kg)	MPCD-M44V (Black) 0815885010149	Mount, screen mounting hardware, product manual.

Mounting Interface



Max Mounting Pattern
400mm (W) x 400mm (H)

VESA

W	100mm	200mm	200mm	300mm	300mm	400mm	400mm	400mm
H	X	X	X	X	X	X	X	X
	100mm	100mm	200mm	200mm	300mm	200mm	300mm	400mm

Accessories

Suspended Ceiling Adapters



MPCD-S1W

For mounting above a false ceiling tile. 13" of lateral shift for fast project adjustment. Compatible with all 1.5" NPT threaded pipe.



MPCD-S2W

Replaces a standard 2' x 2' grid. 13" of lateral shift for fast project adjustment. Compatible with all 1.5" NPT threaded pipe.

Structural Ceiling Adapters



MPCD-1

Wood Single Joist / Concrete



MPCD-2

Wood 16" Double Joist / Concrete



MPCD-4

General Purpose 4x4"



MPCD-8

General Purpose 8x8"

Truss Ceiling Adapter



MPCD-T3

Mounts to round, square and rectangular trusses from .75" up to 3" in diameter and is compatible with all 1.5" NPT threaded pipe.

Vaulted Ceiling Adapter



MPCD-V1

For installation on cathedral or vaulted ceilings. Adjusts up to 94° and is compatible with all 1.5" NPT threaded pipe.

Unistrut Ceiling Adapters



MPCD-U1

Bracket and hardware for mounting to single 1-5/8"x1-5/8" Unistrut.



MPCD-U4

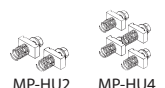
Bracket and hardware (4x4) for mounting to standard 1-5/8"x1-5/8" dual channels spaced on 2.25" centers.



MPCD-U8

Bracket and hardware (8x8) for mounting to standard 1-5/8"x1-5/8" dual channels spaced on 6" centers.

Unistrut Bolts



MP-HU2 (2 Bolts)

MP-HU4 (4 Bolts)

3/8" bolts and spring nuts for mounting ceiling brackets to standard 1-5/8"x1-5/8".

Fixed Columns

Static ceiling columns for use with all ceiling adapters using standard 1.5" NPT interfaces. Connectors (sold separately) give ability to extend drop lengths by connecting two or more columns. Cable management with a completely open interior.



BLACK	DROP
MPE-06	6"
MPE-1	12"
MPE-018	18"
MPE-2	2'
MPE-3	3'
MPE-4	4'
MPE-5	5'
MPE-6	6'
MPE-7	7'
MPE-8	8'
MPE-9	9'
MPE-10	10'

Adjustable Columns

Adjustable extension columns designed for use with all ceiling adapters using standard 1.5" NPT interfaces. Column allows for flexibility with quick 1" incremental drop length adjustments and cable management with a completely open interior. Connectors (sold separately) give ability to extend drop lengths by connecting two or more columns.



BLACK	DROP
MPEA-0611	6"-11"
MPEA-01218	12"-18"
MPEA-01824	18"-24"
MPEA-23	2'-3'
MPEA-24	2'-4'
MPEA-35	3'-5'
MPEA-46	4'-6'
MPEA-57	5'-7'
MPEA-68	6'-8'
MPEA-79	7'-9'
MPEA-810	8'-10'
MPEA-911	9'-11'
MPEA-1012	10'-12'

Visit mustangav.com to see the full line of vidamounts LCD/plasma, projector and TV/monitor mounts.