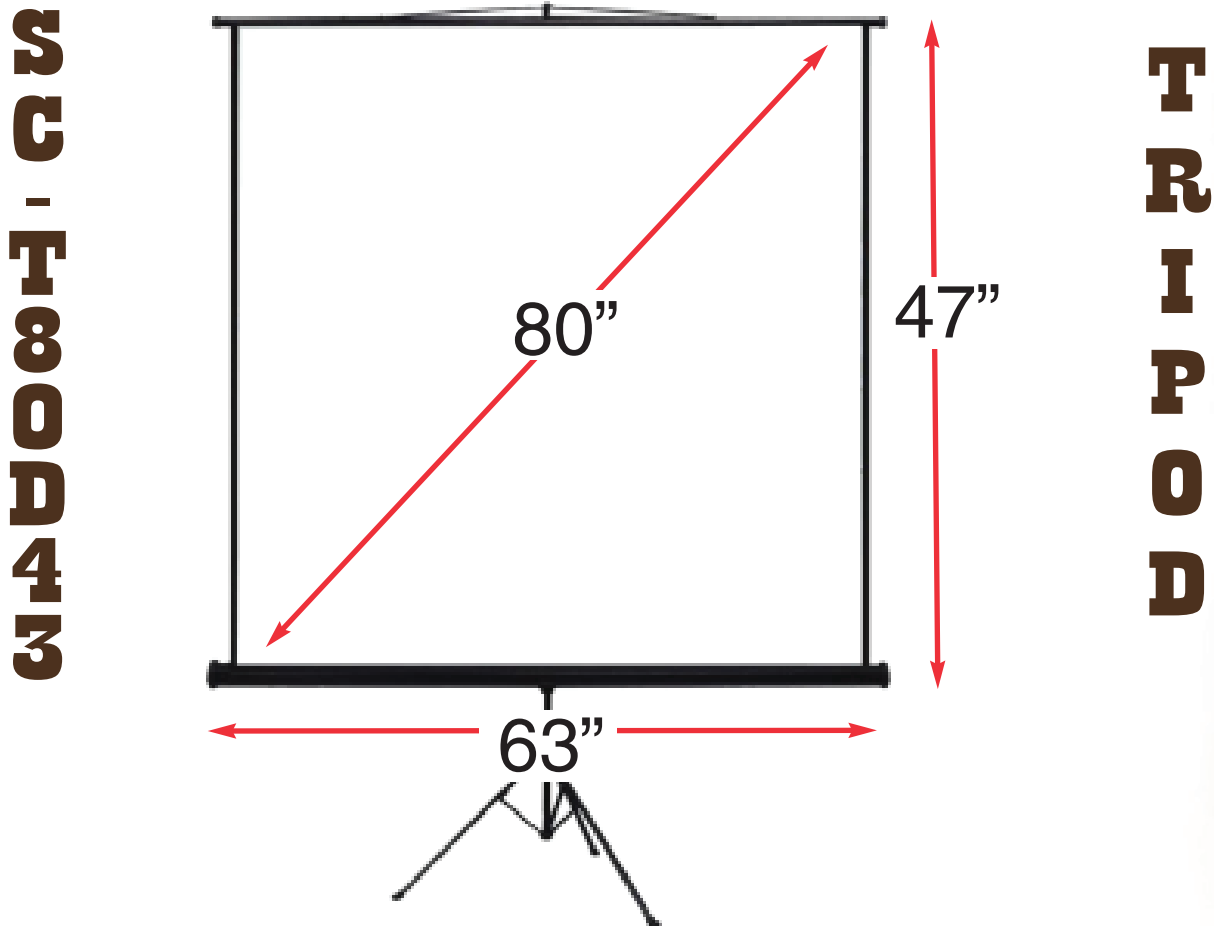


MUSTANGTM TRIPOD 4:3 SCREENS

When looking for clean-line design that also delivers top performance, choose Mustang's Tripod 4:3 Screen. Assembling in just minutes, this sturdy screen features heavy-duty extruded legs and a scratch-resistant surface that makes it ideal for everyday use. Once the screen is set up, enjoy the screen's matte white viewing surface, which diffuses projected light uniformly over the screen - creating ideal viewing from any angle. Its unique tensioning system enables you to adjust the screen height to fit virtually any ceiling height, while its durable black-powdered housing case makes it easy to store or carry for portable use. Mustang's Tripod Screen is the ultimate tripod screen.



SPECIFICATIONS:

- Nominal Diagonal Size: 80"
- Aspect Ratio: 4:3 NTSC Video
- Screen Size: 63"w x 47"h
- Viewing Size: 62"w x 46"h
- Screen Material: Matte White
- Case Size: Length: 66.7" Diameter: 2.2"
- Case Color: Black
- Format: Tripod Free Standing
- Gain: 1.0

FEATURES:

- Matte White Screen Surface for Optimal Image and Color Reproduction
- Black Powder Coat, Octagon Housing
- Shock Proof and Scratch Resistant
- Tube Tripod
- Tension Can Be Set to Your Specifications

WARRANTY

- Three Years Parts and Labor