

# Mustang AV Portrait Floor Stand For Dual 86" LG Stretch Displays

Portrait Orientation Floor Stand Compatible  
with Two LG 86" Stretch Displays

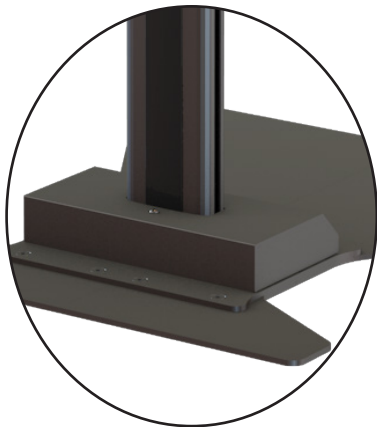
- Vertical position adjustment
- Lockable tilt at 0°, 5°, and 10°
- Ultra flat, heavy-duty base
- Compatible with displays up to 150 lb and with VESA pattern up to 200 x 600mm
- Dual back-to-back configuration
- Integrated cable management for a clean look



## ADJUSTABLE HEIGHT

### Continuous Adjustment

Fully adjustable height allows for perfect screen placement.



## INTEGRATED CABLE MANAGEMENT

### Cable Management at Base

Integrated cable management at the base of the stand allows for a clean look and an uncluttered base area

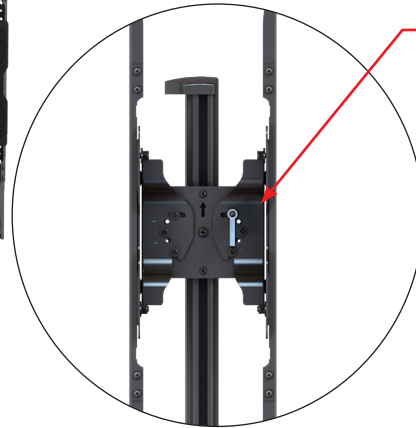
## DUAL HANGING PLATES

Back-to-Back screens allow for Maximum Exposure

## LOCKABLE TILT

0°, 5° and 10°

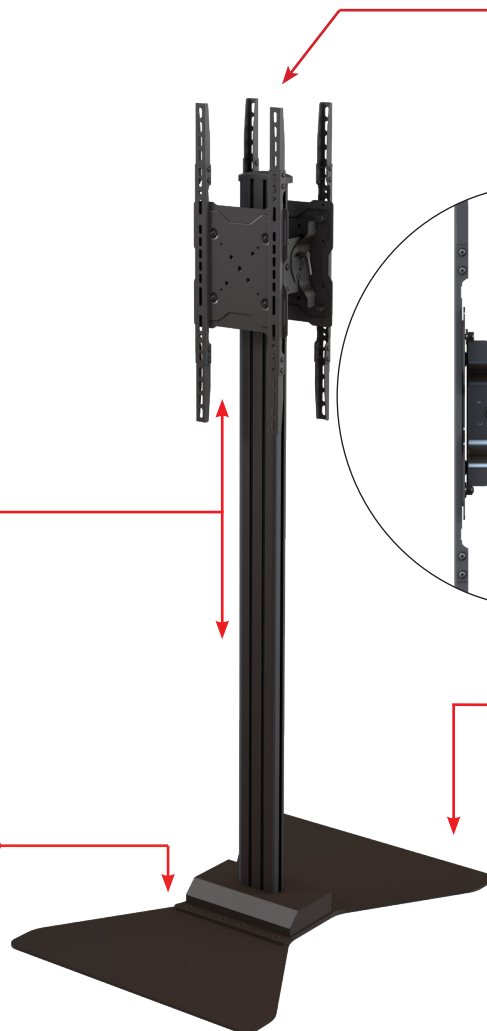
Pin locking incremental tilt for ideal viewing angles



## FLAT BASE

### Heavy Duty but Flat

Only a quarter of an inch thick solid steel base minimizes the possibility of a tripping hazard.



# Portrait Orientation Floor Stand For Dual 86" LG Stretch Displays



Attribute	Value
Monitor size	32" - 86"
Orientation	Portrait
Weight capacity	300lb
Max mounting pattern	200x672mm
VESA mounting patterns	200x200mm, 200x300mm, 200x400mm, 200x600mm
Tilt	Locking incremental
Packaging Dimensions	Multiple boxes
Shipping weight	Multiple boxes
Construction	High-grade cold rolled steel and aluminum
Product finish	Scratch resistant epoxy powder coat
Color	Black
Warranty	Lifetime

Designed specifically for dual back-to-back ultra-stretch displays in portrait application, this stand is fully height adjustable. The flat base limits possibility of a tripping hazard and is ideal for public areas.

