

## Professional Solutions - Unrivalled Value

Three adjustable drop lengths (6" to 11", 12" to 18", 18" to 24"). Ideal for projectors weighing up to 70 lb. Built-in roll, pitch and yaw adjustments make alignment fast and easy. Quick release mechanism allows projector to be easily removed for service. Compatible with all 1.5 NPT threaded pipe.

 70 LB / 32 kg

### Functional Specifications

**Roll:**  $\pm 8^\circ$

**Pitch:**  $\pm 20^\circ$

**Yaw:**  $360^\circ$

**Mounting Surfaces:** Structural wood beams (with included hardware) & concrete & other structural surfaces (requires additional hardware or accessories)

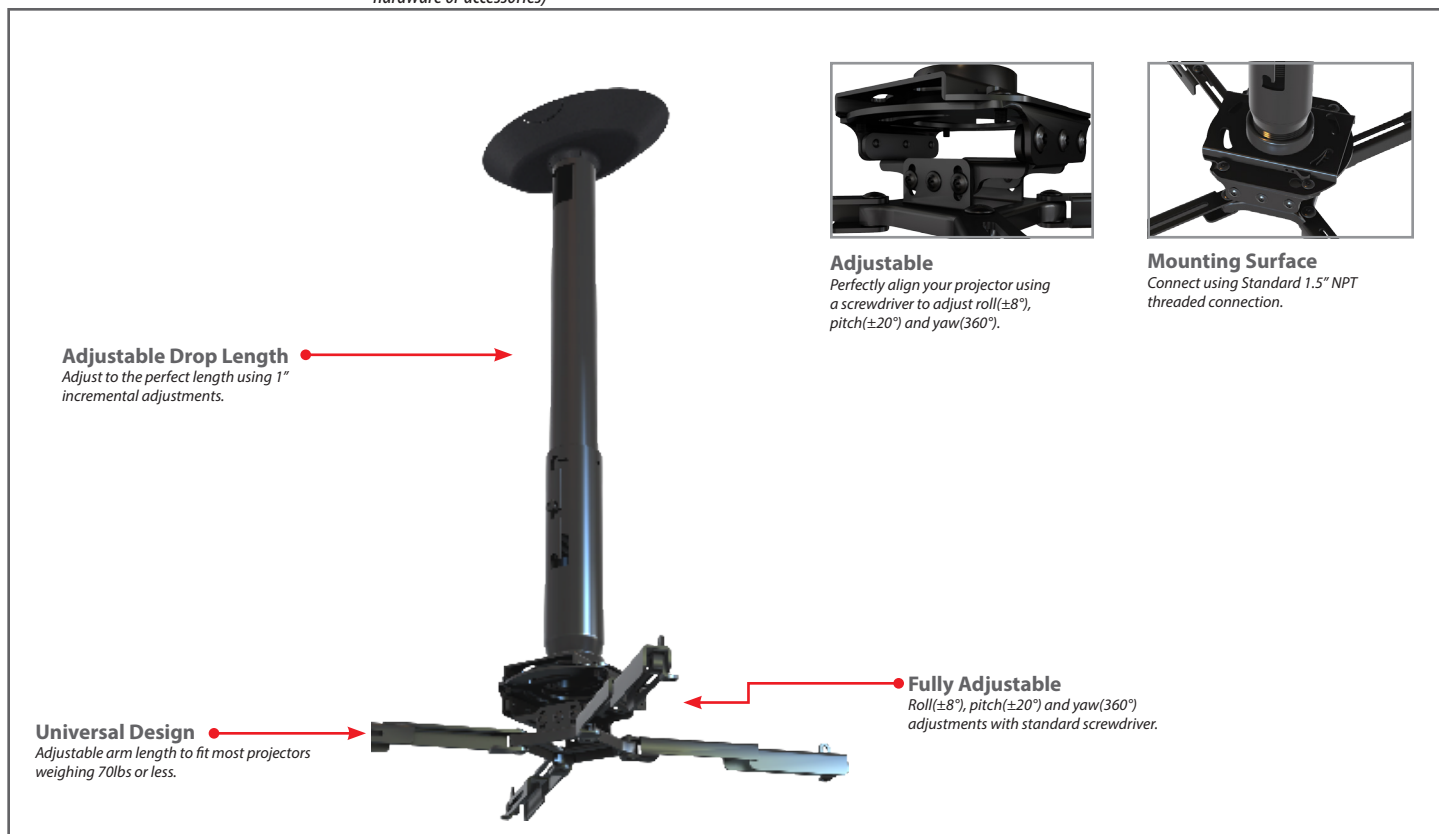
**Max Mounting Pattern:**

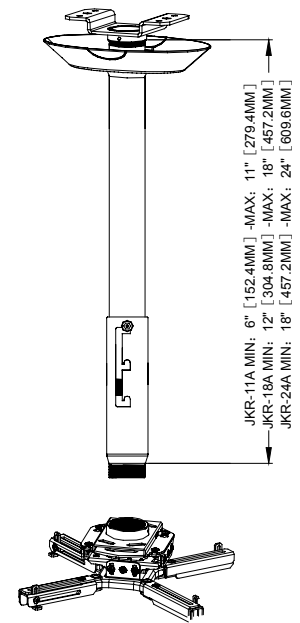
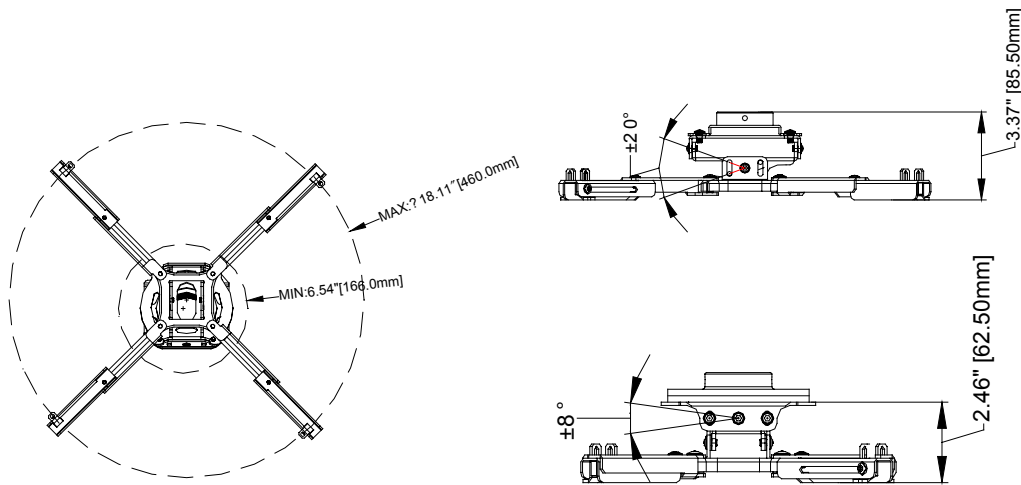
18.1" (460mm) width

18.1" (460mm) height

**Load Capacity:** 70 LB / 32kg

- **Universal Sizes**  
*Universal ceiling mount for projectors weighing up to 70lb.*
- **Pre-Assembled**  
*Completely pre-assembled mounting interface for quick installation.*
- **Easy Access**  
*Quick release mechanism allows for easy service of projector.*
- **Fully Adjustable**  
*Roll, pitch and yaw adjustments with standard screwdriver.*
- **Compatibility**  
*Compatible with all 1.5" NPT threaded pipe.*
- **Three Available Lengths**  
*Available in 6"-11", 12"-18" and 18"-24" adjustable lengths.*
- **Included Hardware**  
*Pre-sorted hardware pack for easy component selection and installation (hardware for installation to wood studs or concrete surfaces included).*





### Product Specifications

### Package Specifications

PRODUCT WEIGHT	LOAD CAPACITY	COLORS	FINISH	PACKAGE SIZE (WxHxD)	SHIP WEIGHT	UPC CODE
6.8lb 7.9lb 9lb	70 lb (32 kg)	Black	Scratch resistant powder coating	12"x9"x7" 16"x9"x7" 23"x9"x7"	18.8lb 20lb 17.4lb	MPJ-KR11A MPJ-KR18A MPJ-KR24A

### Accessories

#### Suspended Ceiling Adapters



MPCA-S1W

For mounting above a false ceiling tile. 13" of lateral shift for fast project adjustment. Compatible with all 1.5" NPT threaded pipe.



MPCA-S2W

Replaces a standard 2' x 2' grid. 13" of lateral shift for fast project adjustment. Compatible with all 1.5" NPT threaded pipe.

#### Structural Ceiling Adapters



MPCA-1

Wood Single Joist / Concrete



MPCA-2

Wood 16" Double Joist / Concrete



MPCA-4

General Purpose 4x4"



MPCA-8

General Purpose 8x8"

#### Truss Ceiling Adapter



MPCA-T3

Mounts to round, square and rectangular trusses from .75" up to 3" in diameter and is compatible with all 1.5" NPT threaded pipe.

#### Vaulted Ceiling Adapter



MPCA-V1

For installation on cathedral or vaulted ceilings. Adjusts up to 94° and is compatible with all 1.5" NPT threaded pipe.

#### Unistrut Ceiling Adapters



MPCA-U1

Bracket and hardware for mounting to single 1-5/8"x1-5/8" Unistrut.



MPCA-U4

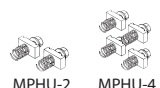
Bracket and hardware (4x4) for mounting to standard 1-5/8"x1-5/8" dual channels spaced on 2.25" centers.



MPCA-U8

Bracket and hardware (8x8) for mounting to standard 1-5/8"x1-5/8" dual channels spaced on 6" centers.

#### Unistrut Bolts



MPHU-2 (2 Bolts)

MPHU-4 (4 Bolts)

3/8" bolts and spring nuts for mounting ceiling brackets to standard 1-5/8"x1-5/8".

#### Fixed Columns

Static ceiling columns for use with all ceiling adapters using standard 1.5" NPT interfaces. Connectors (sold separately) give ability to extend drop lengths by connecting two or more columns. Cable management with a completely open interior.



BLACK	WHITE	DROP
MPE-06	MPE-06W	6"
MPE-1	MPE-1W	12"
MPE-018		18"
MPE-2		2'
MPE-3		3'
MPE-4		4'
MPE-5		5'
MPE-6		6'
MPE-7		7'
MPE-8		8'
MPE-9		9'

#### Adjustable Columns

Adjustable extension columns designed for use with all ceiling adapters using standard 1.5" NPT interfaces. Column allows for flexibility with quick 1" incremental drop length adjustments and cable management with a completely open interior. Connectors (sold separately) give ability to extend drop lengths by connecting two or more columns.



BLACK	WHITE	DROP
MPEA-0611	MPEA-0611W	6"-11"
MPEA-01218		12"-18"
MPEA-01824		18"-24"
MPEA-23		2'-3'
MPEA-24		2'-4'
MPEA-35		3'-5'
MPEA-46		4'-6'
MPEA-57		5'-7'
MPEA-68		6'-8'
MPEA-79		7'-9'
MPEA-810		8'-10'
MPEA-911		9'-11'
MPEA-1012		10'-12'

Visit [mustangav.com](http://mustangav.com) to see the full line of vidamoints LCD/plasma, projector and TV/monitor mounts.