




Professional Solutions - Unrivalled Value

Ultra-thin universal design holds flat panel screens only 0.39 (10mm) from wall. A perfect match for today's slim TVs. Quick and secure "hook and click" installation with built-in kickstand feature that allows easy access for wiring.

 26"-55" / 66cm-140cm

 80 LB / 36 KG

- **Universal Design / Vesa Compatible**
Works with any hole pattern up to 401x401mm (15.8"x15.8").
- **Slim Design**
Ultra-thin universal design holds flat panel screen only 0.39" (10mm) from wall.
- **Screen Size**
Fits most 26" to 55" flat panel screens weighing up to 80 lb (36kg).
- **Easy Installation**
Quick and secure "hook and click" installation.
- **Easy Wiring**
Open wall plate and built-in kickstand allows easy access for wiring.
- **Lateral Adjustment**
Lateral shift for perfect screen placement.
- **Included Hardware**
Pre-sorted hardware pack for easy component selection and installation (hardware for installation to wood studs or concrete surfaces included).

Functional Specifications

Depth from wall: 0.39" (10mm)

Mounting Surfaces: Wood studs, concrete & cinder block (with included hardware). Metal Studs (requires accessories).

Max Mounting Pattern:

401mm (15.8") width
401mm (15.8") height

Load Capacity: 80 LB / 36 KG

Warranty: Limited 10 Years

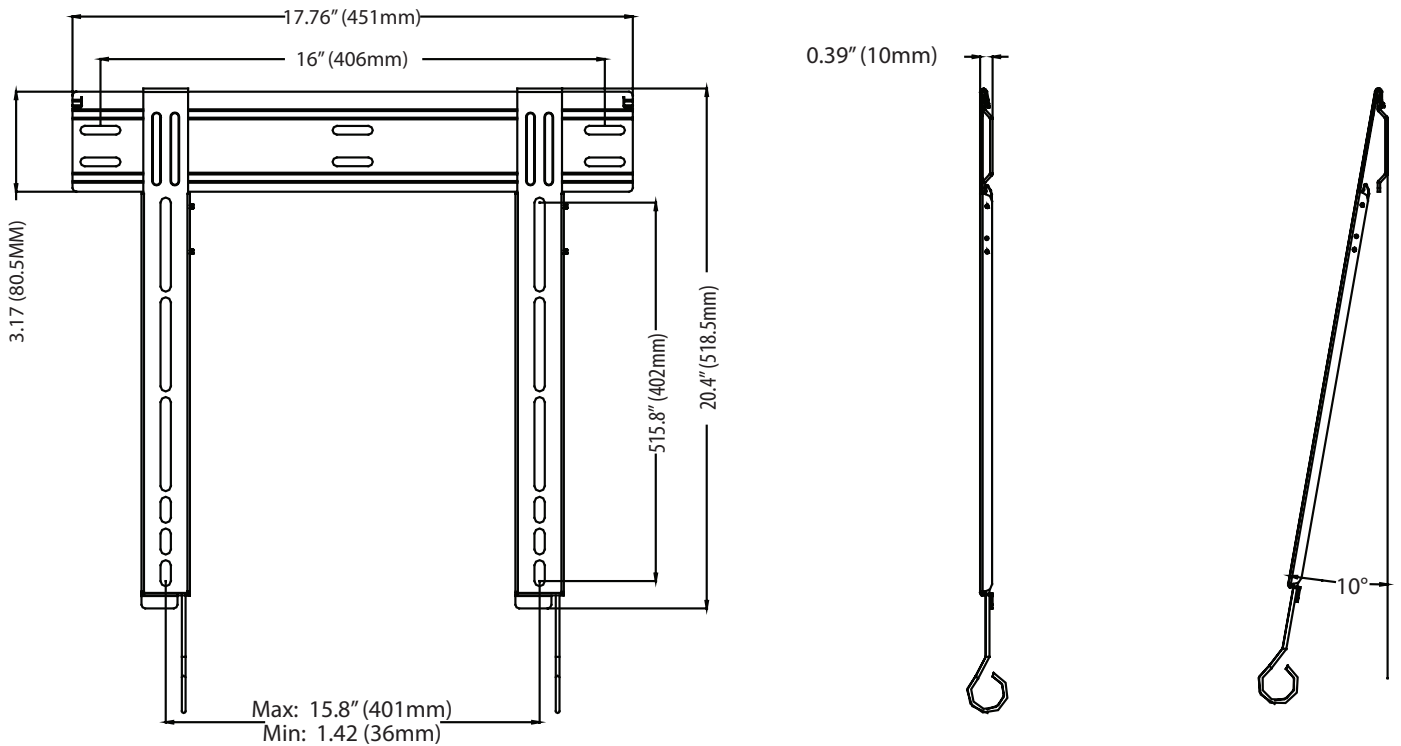
Lateral Adjustment
Lateral adjustment functionality for positioning TV in the right spot on the wall.

Universal Design
Fits any hole pattern up to 401x401mm (16"x15.9"). Max VESA hole pattern 400x400mm.

Kickstand and Bracket Release
Kickstand holds screen away from wall for easy cord installation then folds back when not in use. Bracket release cord lets you unlock bracket positions easily.

Securing Clip
Attached clip secures brackets in place for no slip installation.

Mounting Hardware
Complete set of screen mounting hardware, labeled for ease of use and ready to go.

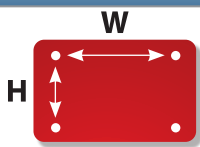


Product Specifications

Package Specifications

PRODUCT WEIGHT	LOAD CAPACITY	COLORS	FINISH	PACKAGE SIZE (WxHxD)	SHIP WEIGHT	UPC CODE	PACKAGE CONTENTS
3.1lb (1.4kg)	80lb (36kg)	Black	Scratch resistant powder coating	21.8" x 3.5" x 1.5" (554 x 89 x 38mm)	3.8lb (1.7kg)	MPFU-M44U (Black)	Mount, wall and screen mounting hardware, product manual.

Mounting Interface



	Universal		VESA								
	Min	Max	W	75mm	100mm	100mm	200mm	300mm	300mm	400mm	400mm
W	31mm	401mm	X	X	X	X	X	X	X	X	X
H	31mm	401mm	75mm	100mm	200mm	200mm	200mm	300mm	300mm	300mm	400mm

Accessories

Toggle bolts (for metal stud installation)



- MPHT-2 - 2 Pack
- MPHT-4 - 4 Pack
- MPHT-6 - 6 Pack

Use when installing into metal stud.

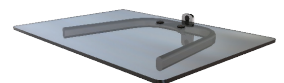
On-wall Cable Management



- MPWA-1 - 1 Shelf
- MPWA-2 - 2 Shelves
- MPWA-3 - 3 Shelves

Component shelf and on-wall cable routing system. Hides cables inside internal channels for a clean look.

Shelving



- MPWF-1 - 1 Shelf

Single-stud mountable component shelf.

Visit mustangav.com to see the full line of vidamounts LCD/plasma, projector and TV/monitor mounts.