

**NOTE:** We recommend that this product is installed by the professional only. We accept no liability for damages caused by incorrect assembly, installation or use. If there is any doubt, please contact the specialist from the seller for help.


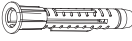



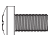
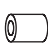
**IMPORTANT!**

- For safety reasons, the wall or mounting surface must be capable of supporting the combined weight of the mount and the display; otherwise the structure must be reinforced.
- Safety gear and proper tools must be used. A minimum of two people are required for this installation. Failure to do so can result in property damage and/or serious injury.
- Make sure that no electrical cables, water pipes or gas pipes are located within the wall.

**Tools required for the installation:**

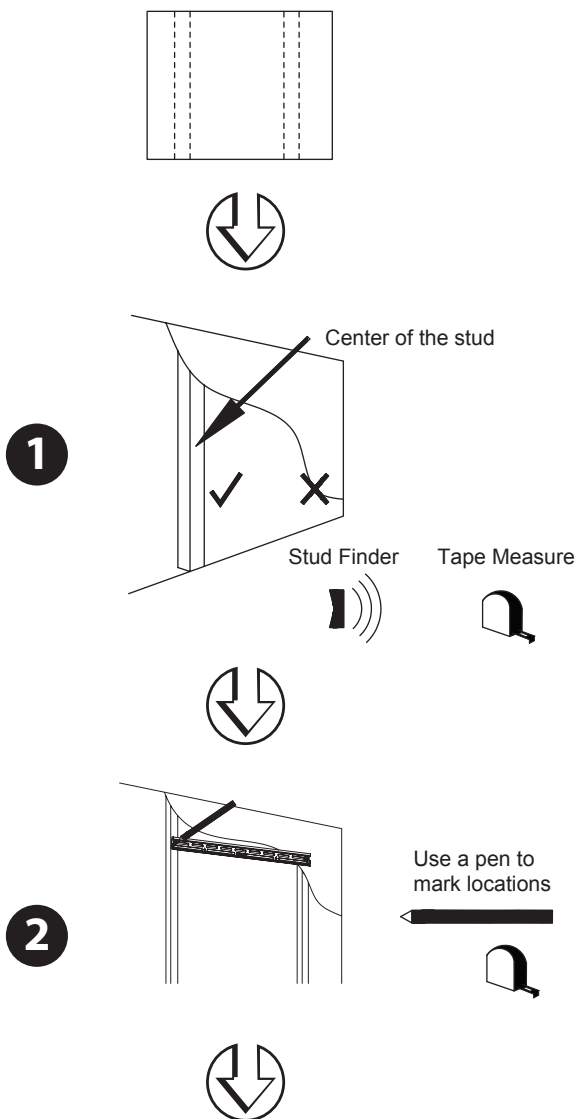
- Phillips Head Screw Driver
- Electric or Portable Drill
- Ratchet Driver with 1/2" (13 mm) Socket
- 1/4" (6 mm) Drill Bit + Stud Finder ( Drywall Installation )
- 7/16" (11 mm) Masonry Bit ( Concrete Installation )

**Also make sure that all of the hardware has been included with your mount. You should find the following:**

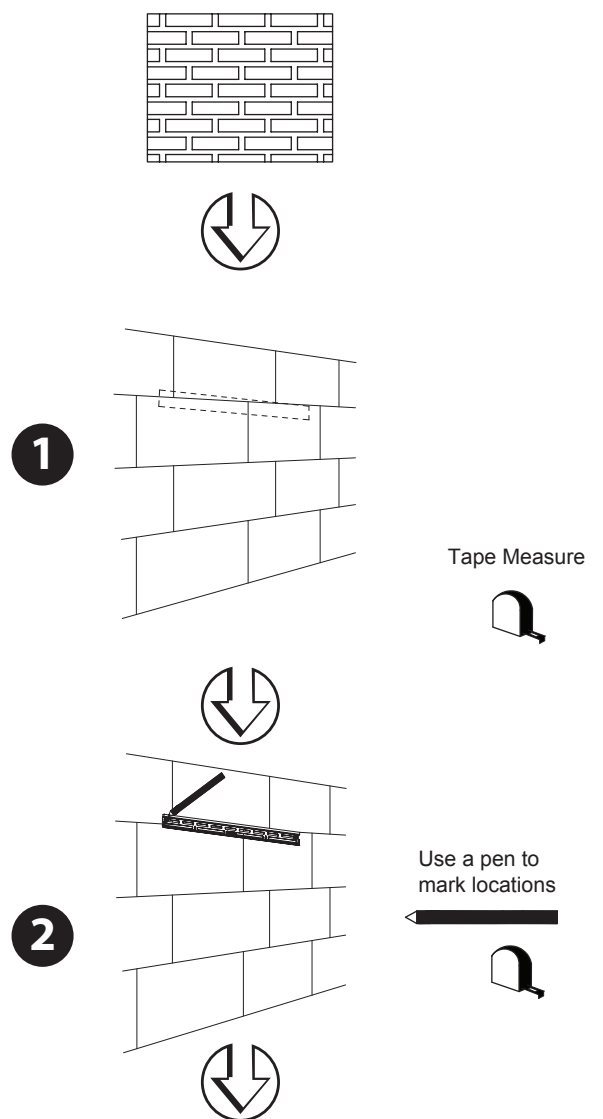
- |                        |   |                         |  |                    |   |
|------------------------|---|-------------------------|--|--------------------|---|
| (A) M6x50 Lag Bolt X 4 |  | (B) Concrete Anchor X 4 |  | (C) M6 Washer X 8  |  |
| (D) M4x14 Bolt X 4     |  | (E) M6x20 Bolt X 4      |   | (F) M8x20 Bolt X 4 |  |
| (G) 15*8*5 Spacer X 4  |  |                         |  |                    |   |

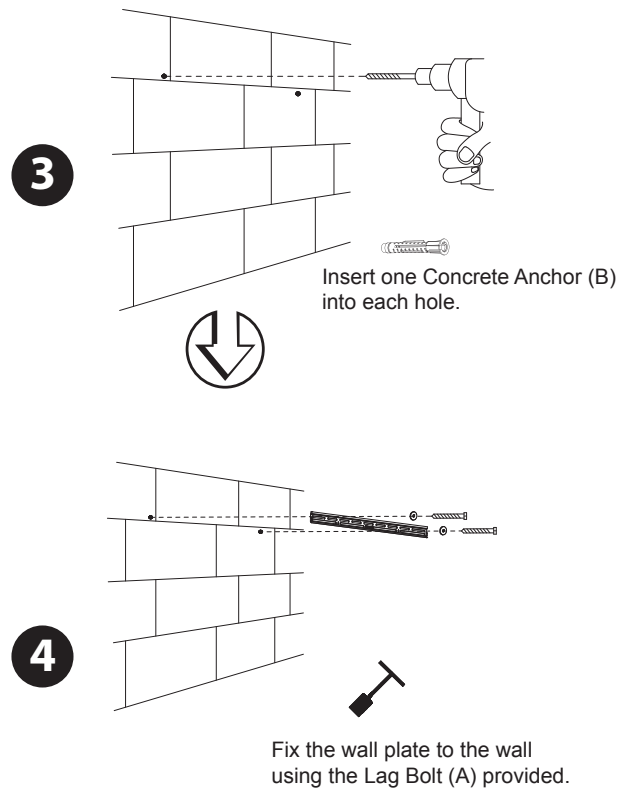
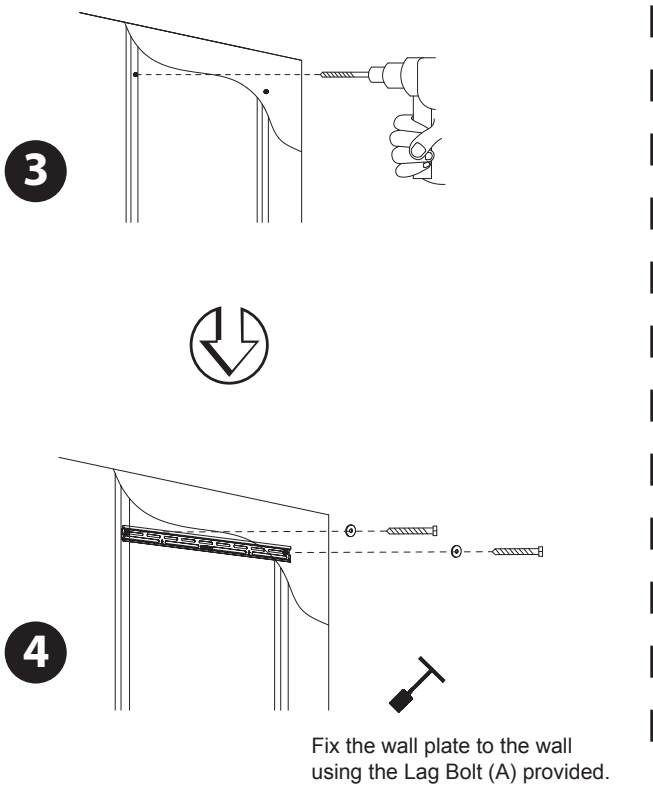
## Installing the Wall Mount

### Drywall Installation

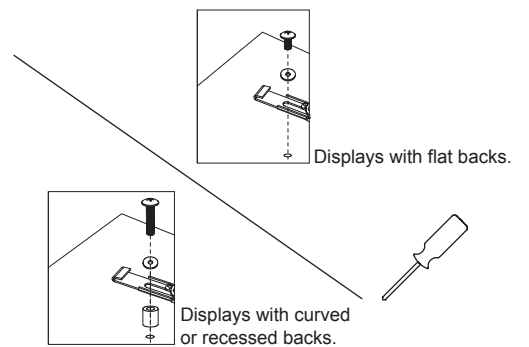
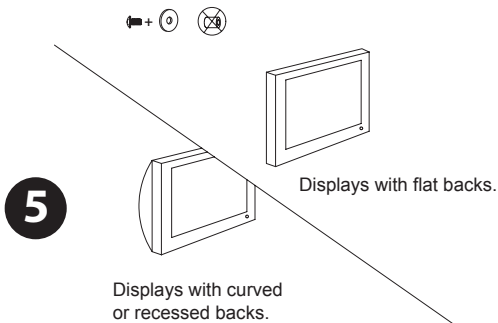


### Concrete/Brick Installation



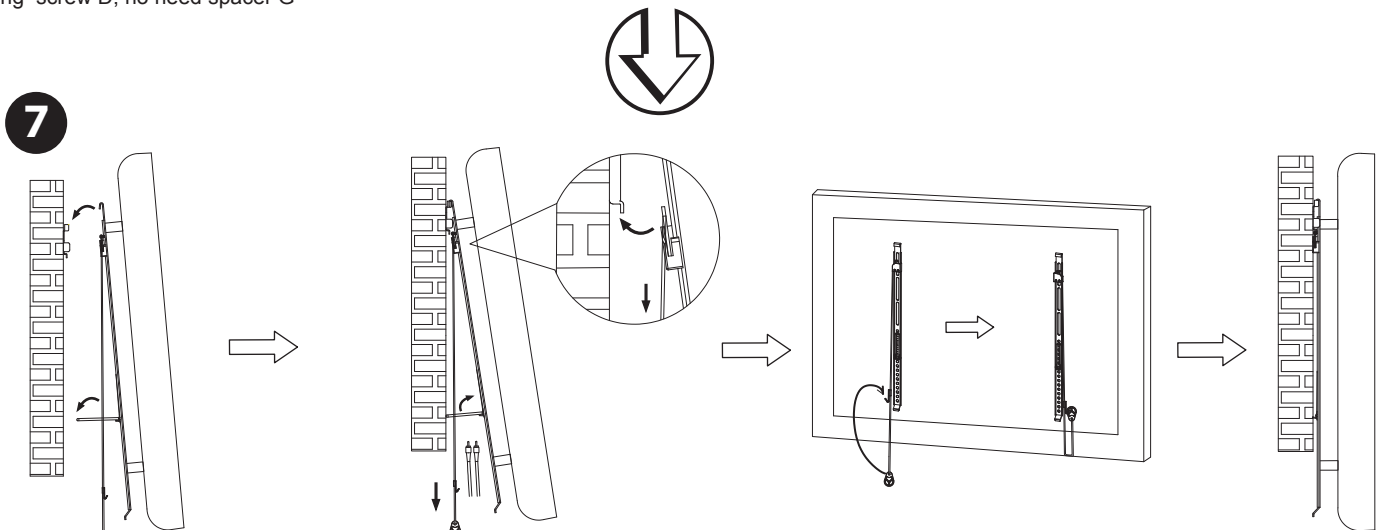


Proper shorter bolts from D,E,F/ Washers C



Proper longer bolts D,E,F / Washers C / Spacers G  
If using screw D, no need spacer G

Do not use the M6 Washers (C) if you are using the M8 Bolts (F).



Pull Click-Stands down, hang the two arms with the TV attached on the wall plate.

After all cables have been routed, push the Click-Stands up, pull cords down and let TV back to the wall at the same time, relax the cords after TV back to the position.

The cord length is adjustable:  
1. Adjust the integrated hooks to a proper position.  
2. Hang the handles onto hooks.  
3. You are done and the cords has been hidden.